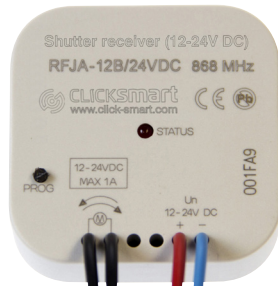


## RFJA-12B/230V & RFJA-12B/24 V DC - Shutter Receivers



RFJA-12B/230V



RFJA-12B/24VDC

- The shutter receivers have the function of controlling motorised shutters, blinds, curtains and windows.
- **RFJA-12B/230V:** controls 230V AC motors, which can be operated in both directions and have an in-built protective limit switch
- **RFJA-12B/24V DC:** controls 12-24V DC motors with an in-built limit switch, where the direction is controlled by the changing of polarity
- The time duration for completely opening or shutting the blind is retained
- Contactless, noise-free switching
- The shutter receiver can be controlled by up to 32 transmitters, like the RF Touch and push-button units
- The status of the device is signalled by an LED diode on the front panel
- The programming is performed by using the button 'PROG' which also acts as a manual override
- Can be mounted inside a 35mm deep back box or in to a non-metallic box behind the motor unit

Technical Details	RFJA-12B/230V	RFJA-12B/24VDC
Supply voltage:	230V AC	12-24V DC
Apparent consumption:	7VA / $\cos \phi = 0.1$	x
Loss consumption:	0.7 W	x
Consumption without load:	x	0.5W
Consumption with load:	x	25W
Tolerance of supply voltage:	+10 -15 %	
<b>Output</b>		
Number of contacts:	2 x NO/ 2PDT (AgSnO2)	x
Rated current:	8 A / AC1	x
Switched output:	x	
Switching power:	2000VA / AC1	x
Peak current:	10 A / <3 s	
Switched output voltage**:	230V AC	12-24V DC
Mechanical life:	1x10 <sup>7</sup>	x
Electrical life (AC1):	1x10 <sup>5</sup>	x
<b>Control</b>		
Packet from transmitter:	868 MHz	
Emergency control:	PROG (STOP ▲, STOP ▼)	
Range in open space:	up to 100 m/ 328'	
<b>Other data</b>		
Operational temperature:	0 °C to +50 °C (32 °F to 122 °F)	
Operational position:	any	
Mounting:	loose on input wires	
Protection degree:	IP 30	
Overvoltage category:	III.	
Pollution level:	2	
Output wires:	solid wires CY, 4 x 0.75 mm <sup>2</sup>	
Output wire length:	90 mm (3.5")	
Dimensions:	49 x 49 x 21 mm	49 x 49 x 13 mm
Weight:	46 g (1.6 oz.)	22 g (0.8 oz.)
Applying standards:	EN 60669, EN 300 220, EN 301 489 Directive RTTE, NV No.426/2000Sb (Directive 1999/ES)	
Warranty:	12 Months	

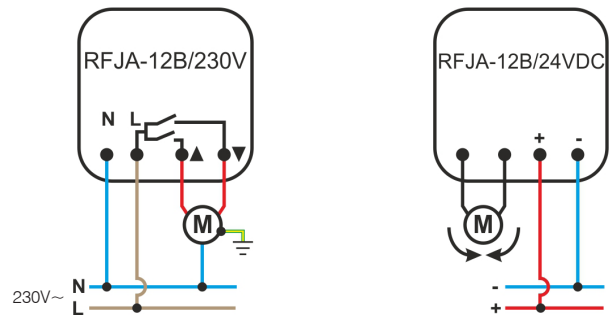
\*\* Identical with supply voltage

### Description

#### RFJA-12B/230V



### Connection



### Function

1. Press the button for less than 2 seconds and the blind goes up (▲) or down (▼) by small increments.
2. Press the button for longer than 2 seconds and the blind goes up (▲) or down (▼) to limit positions.

